

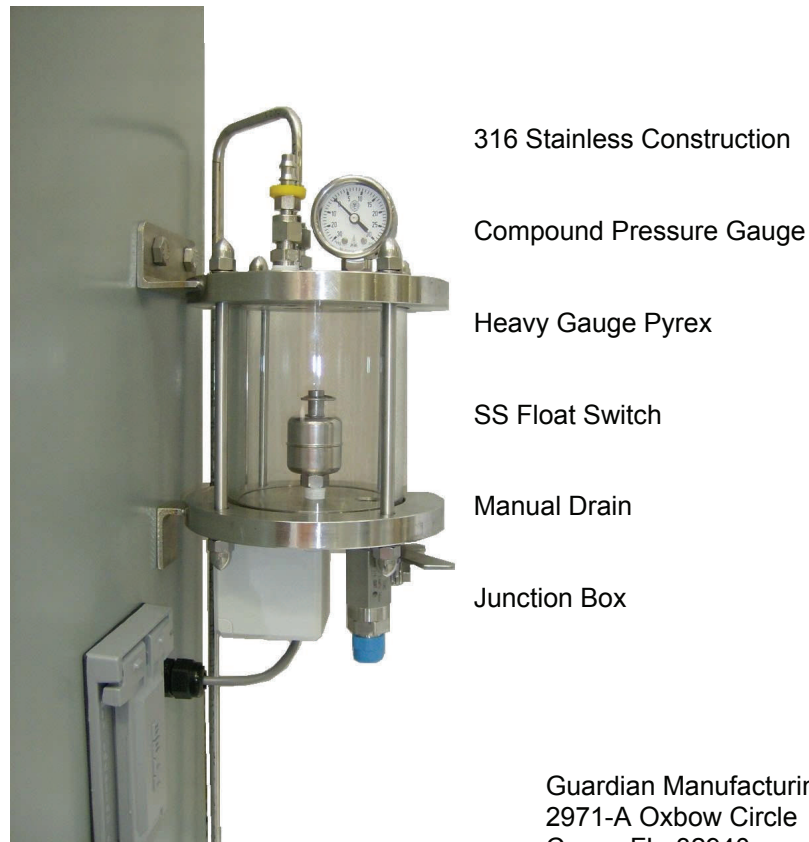


## Guardian Manufacturing Backflow Detection Device

- Protects Ozone Generator from Water Entrainment
- Auto Shutoff Signal to Close Solenoid Valve
- Manufactured by Guardian to the Highest Industry Standards
- All Components Rated for High Ozone Concentration
- Integral or Remote Options
- Backed by Guardian's Full Warranty

The last line of defense against water entrainment to the generator is Guardian's Backflow Detection Device. Check valves can fail over time. When vacuum is lost or static head conditions allow water to leak past the ozone check valves, Guardian's Backflow Detection prevents water from entering the generator causing damage and downtime.

When water enters the glass bulb the internal float will rise and close a contact. This signals the Smart Relay to instantly turn off the generator, shut the solenoid, alarm the fault light and protect the ozone generator cell.



316 Stainless Construction

Compound Pressure Gauge

Heavy Gauge Pyrex

SS Float Switch

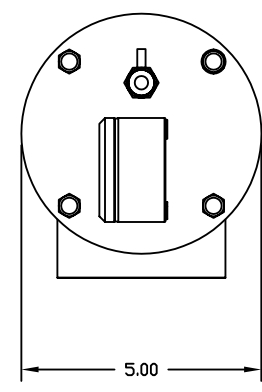
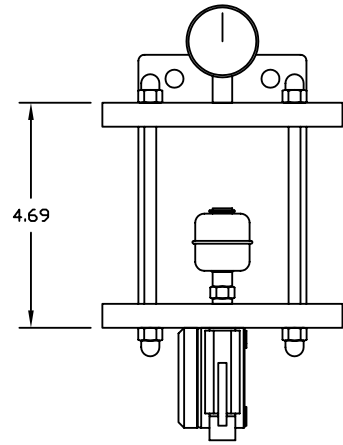
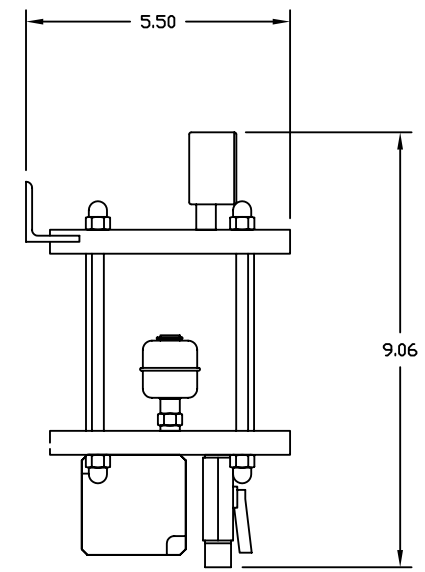
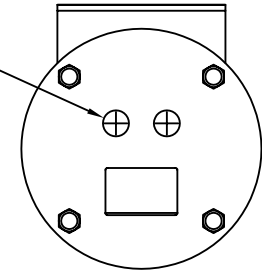
Manual Drain

Junction Box

Guardian Manufacturing Inc.  
2971-A Oxbow Circle  
Cocoa FL, 32940  
[www.guardianmfg.com](http://www.guardianmfg.com)  
(321) 631-4580 ext. 304

REVISIONS				
ZONE	LTR.	DESCRIPTION	DATE	APPROVED
	A	INITIAL RELEASE	01/26/09	
	-	-	-	

2X 1/4" FNPT HOLES  
(INSTALL APPROPRIATE FITTINGS  
AT INSTALLATION OF DEVICE)



EXTERIOR DETAILS

THIS DRAWING AND ALL INFORMATION CONTAINED HEREIN IS THE PROPERTY OF GUARDIAN MANUFACTURING, INC., 2971 OXBOW CIRCLE, SUITE A, COCOA, FL., 32926. IT IS PROPRIETARY INFORMATION AND IS FURNISHED FOR AN EXPRESSLY RESTRICTED USE IN CONJUNCTION WITH THIS PROJECT AND SHALL NOT BE COPIED, REPRINTED OR DISCLOSED TO A THIRD PARTY EITHER WHOLLY OR IN PART WITHOUT THE PRIOR WRITTEN CONSENT OF GUARDIAN MANUFACTURING, INC.



NEXT ASSY.	USED ON
APPLICATION	

UNLESS OTHERWISE SPECIFIED,		
MATERIAL:	---	DIMENSIONS ARE IN INCHES.
	---	TOLERANCES ARE:
	---	FRACTIONS DECIMALS ANGLES
	---	± 1/32 .XX ±.03 ±1/2°
FINISH:	---	WORK ORDER
	---	NUMBER:

DRAWN BY:	WAC	DATE	01/26/09
REVIEWED BY:			
REVIEWED BY:			

GUARDIAN MANUFACTURING, INC BACKFLOW PREVENTER FABRICATION DETAILS			
DWG SIZE	B	DRAWING NUMBER	0881-0000
SCALE	NONE	DO NOT SCALE DRAWING	SHEET 1 OF 1
REV.	A		